

# flx.go

## TechBook

### flx.go

Experience effortless control from your hot tub seat  
with our user-friendly Turn-N-Press keypad



---

A simplified high-resolution experience

---

Works under all conditions

---

A world of possibilities



## Table of contents

- Warnings .....	2
- Introduction .....	3
Overview	
- flx.go dimensions .....	4
- Correct installation .....	5
- Incorrect installation .....	5
Installation	
- Installation of flx.go .....	6
- Installation notes .....	7
- Connecting the flx.go keypad to the hot tub control .....	8
Keypad functions	
- Keypad layout .....	9
- Power .....	9
- Sleep mode screen .....	9
- High-temperature error .....	10
- Navigation .....	11
- Start and stop accessories .....	11
- Water temperature .....	12
- Flip screen .....	12
Settings	
- Menu .....	13
- Watercare .....	14
- Filter cycle* .....	15
- Purge* .....	16
- Economy* .....	17
- Maintenance .....	18
- in.temp .....	19
- in.touch .....	20
- Date .....	20
- Time .....	21
- Keypad .....	22
- Temperature units .....	22
- Language .....	23
- Contrast .....	23
- Lock spa .....	24
- Keypad color .....	24
- Electrical configuration .....	25
- Warmweather .....	25
- About .....	26
- Audio .....	26
- Factory reset .....	27
- Back .....	27
- VMS-1 variable-speed pump .....	28
in.stream 2 functions .....	30
in.mix functions .....	31
Feature matrix .....	32
How to remove the dial ring .....	33
Errors .....	34
Specifications .....	35

## Warnings



### WARNINGS:

Before installing or connecting the unit, please read the following.

**FAILURE TO COMPLY WITH THE FOLLOWING WARNINGS MAY SIGNIFICANTLY SHORTEN THE PRODUCT'S LIFETIME AND LEAD TO FAILURES AS WELL AS HAZARDOUS CONDITIONS\*. COMMON SENSE MUST ALWAYS PREVAIL WHEN EVALUATING THE INSTALLATION AND/OR USE OF ANY ELECTRONIC CONTROL IN A FINAL APPLICATION.**

- RESPECT ENVIRONMENTAL CONDITIONS LISTED AT THE END OF THE TECHBOOK.
- THIS UNIT MUST BE INSTALLED BY QUALIFIED PERSONNEL.
- ONLY QUALIFIED PERSONNEL ARE TO SERVICE THIS UNIT. THERE ARE NO USER SERVICEABLE PARTS INSIDE.
- THIS UNIT SHOULD BE INSTALLED ON A CLEAN, FLAT SURFACE.
- THE GASKET ON THE BACK OF THE UNIT WILL PREVENT WATER INFILTRATION INSIDE, BEHIND THE MOUNTED SURFACE. IF THE GASKET IS DAMAGED, SEAL THE BACK OF THE UNIT WITH SILICONE TO AVOID ANY LEAKAGE BEHIND THE MOUNTED SURFACE.
- **THIS UNIT MUST BE MOUNTED ABOVE THE WATER LEVEL WHEN INSTALLED INSIDE THE HOT TUB.** SEE INSTALLATION SECTION FOR MORE DETAILS.
- THE BACK OF THIS UNIT SHOULD NOT BE ENCLOSED IN A WAY THAT CAUSES WATER TO COLLECT. SEE INSTALLATION SECTION FOR DETAILS.

\* HAZARDOUS CONDITION:

A CONDITION THAT IS POTENTIALLY DAMAGING AND/OR DANGEROUS TO THE OPERATOR OR SURROUNDINGS. THIS INCLUDES, BUT IS NOT LIMITED TO: FIRE, FLOODING OR OTHER WATER DAMAGE, DIELECTRIC BREAKDOWNS (PRESENCE OF HIGH VOLTAGE), ETC.

## MAINTENANCE

IF YOU HAVE PROBLEMS, DO NOT ATTEMPT TO REPAIR THE UNIT YOURSELF. RETURN IT TO YOUR DEALER OR SERVICE STATION FOR SERVICING.

## ACCESSORY PARTS

BE SURE TO USE ONLY THE SPECIFIED ACCESSORY PARTS. USE OF OTHER THAN DESIGNATED PARTS MAY DAMAGE THIS UNIT INTERNALLY OR MAY NOT SECURELY INSTALL THE UNIT IN PLACE. THIS MAY CAUSE PARTS TO BECOME LOOSE, RESULTING IN HAZARDS OR PRODUCT FAILURE.

## DISPOSAL OF THE PRODUCT

THE APPLIANCE (OR THE PRODUCT) MUST BE DISPOSED OF SEPARATELY AND IN ACCORDANCE WITH THE LOCAL WASTE DISPOSAL LEGISLATION IN FORCE.



Compatible hot tub controllers:  
in.yt, in.ye and in.yj with compatible software revision

Gecko® and its respective logos are registered trademarks of Gecko Alliance Group.  
flx.go™, Turn-N-Press™, in.ye™, Y series™ and their respective logos are trademarks of Gecko Alliance Group.

All other product or company names that may be mentioned in this publication are tradenames, trademarks or registered trademarks of their respective owners.

---

## Introduction



## flx.go

Experience effortless control from your hot tub seat with our user-friendly Turn-N-Press keypad

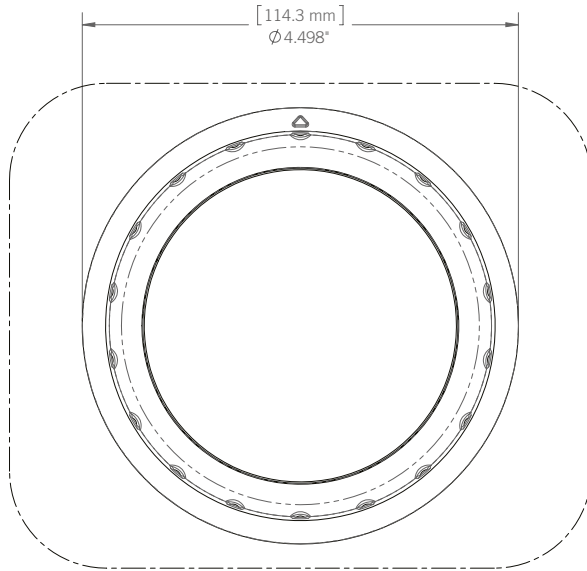
With Gecko's unique Turn-N-Press technology, the flx.go is not only the most distinctive keypad, it's also a convenient new way to control hot tubs that will please every hot tub user. The remarkable high-resolution round display offers unmatched visibility at all angles and provides a unique hot tub experience. This keypad has been designed to be installed wherever you may need it for easy operation of your hot tub (see installation instructions on page 7).

This techbook presents the various functions and menus available on your flx.go. Availability of certain functions depends on the software version of your flx.go. To find out which features are available for your software version\* refer to the table of available options in the Feature matrix section on page 32.

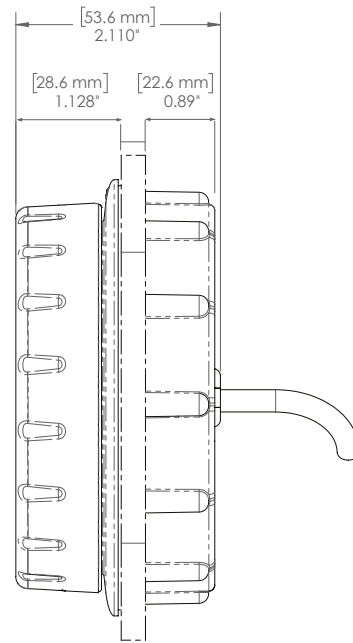
*\* To see which software version is installed on your flx.go refer to the About section.*

flx.go dimensions

Front view

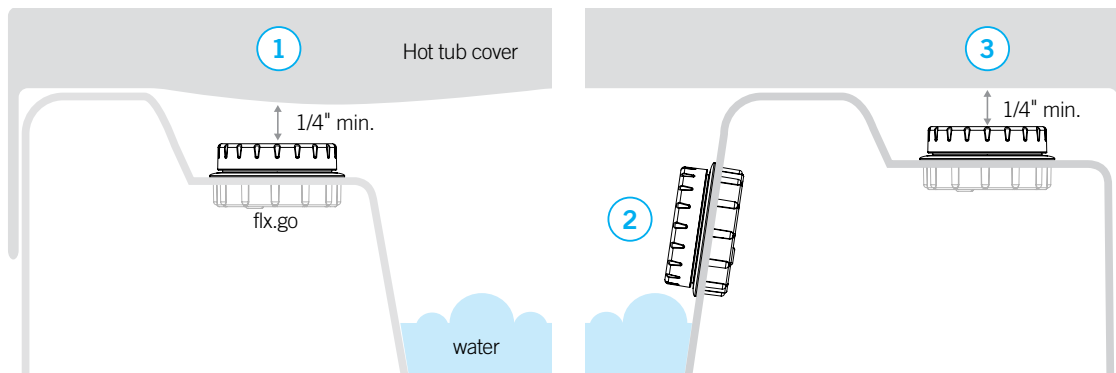


Side view



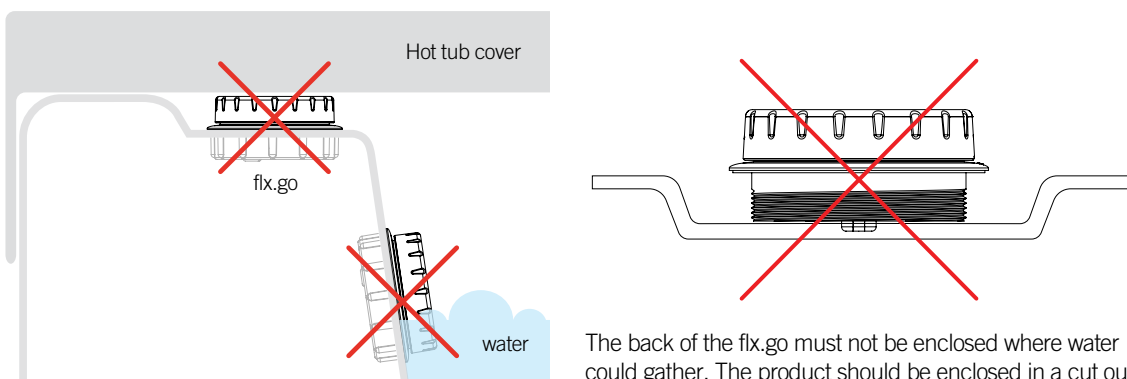
## Installation

### Correct installation



The flx.go can be installed facing inside the hot tub either horizontally (1) or vertically (2). When installed facing in, the flx.go must be mounted **above the water line**. It can also be installed facing out like standard keypads (3). Proper clearance (1/4" min.) needs to be planned to make sure the hot tub cover does not come into contact with the flx.go.

### Incorrect installation

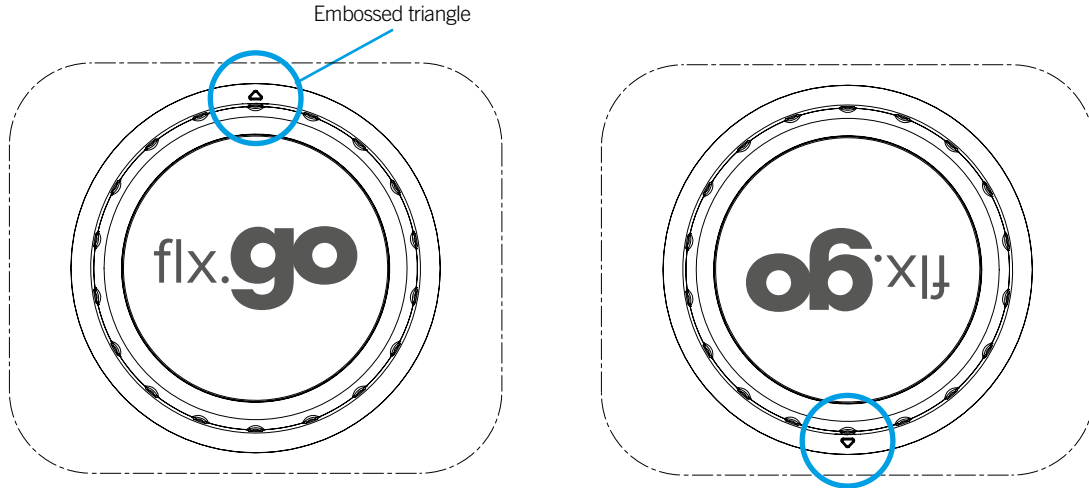


The back of the flx.go must not be enclosed where water could gather. The product should be enclosed in a cut out.

## Installation

### Installation of flx.go

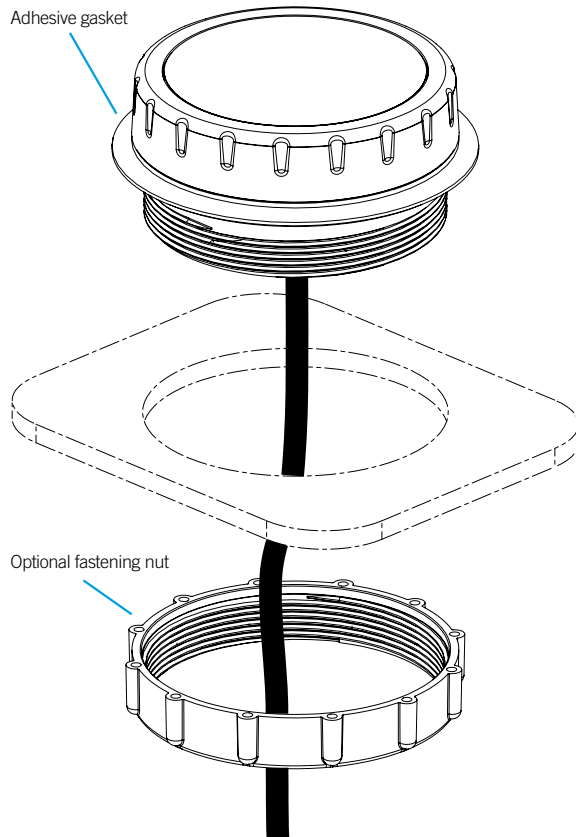
To install the flx.go, determine the mounting location and cut out an opening using a 3.75" hole saw. Clean the installation surface and peel the adhesive gasket from the back of the keypad. Locate the embossed triangle on the outer rim of the flx.go. Point the triangle according to your desired display orientation and insert the keypad.



When inserting the keypad, align it correctly, then ensure it is properly glued by gently pressing evenly on the entire surface. Gecko recommends the use of the fastening nut to tighten the seal between the gasket and the hot tub shell. (The fastening nut must be hand tightened.)

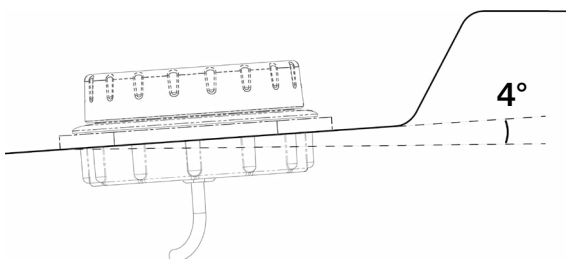
Use the fastening nut on a hot tub thickness between 0.28" and 0.5".

For thinner or thicker surfaces, use of the adhesive gasket alone is recommended. Gecko does not recommend the use of silicone other than electronic grade or neutral cured silicone over the adhesive gasket.

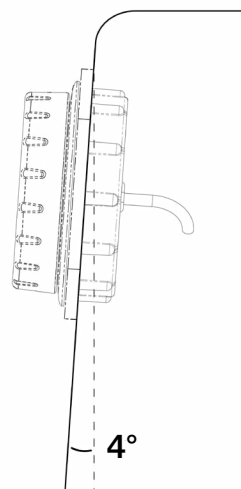


## Installation

### Installation notes



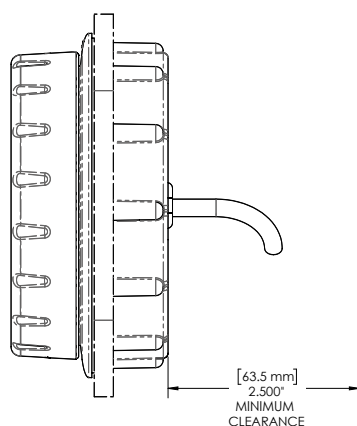
Horizontal



Vertical

When installing the flx.go on the hot tub, a minimum angle of 4 degrees must be respected.

Also make sure that the hot tub cover can never get in contact with the keypad glass surface. Sagging of the hot tub cover needs to be taken into consideration as it ages and accumulates water. Also make sure that the hot tub cover does not come into contact with the keypad glass surface.



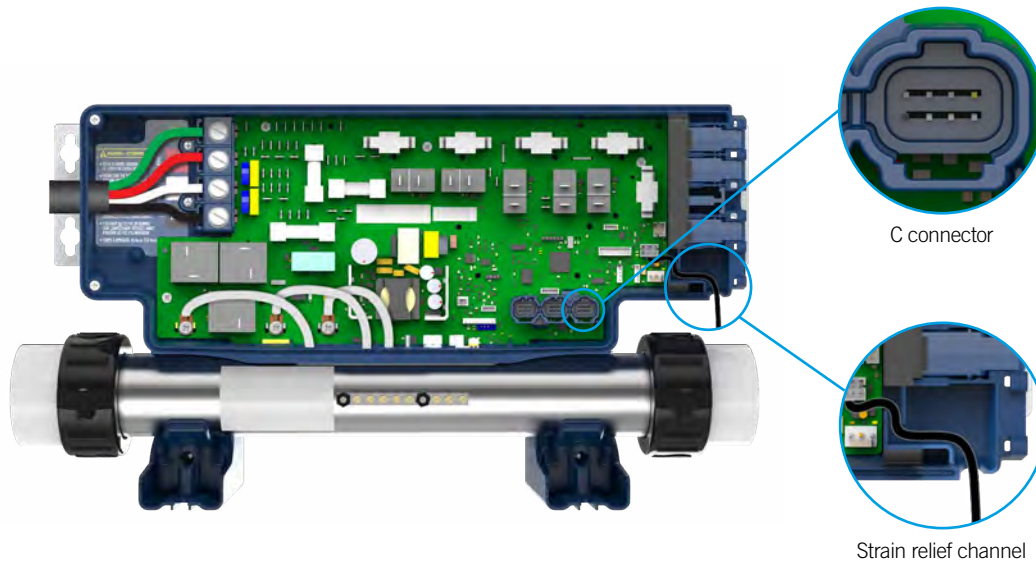
Placement of the flx.go should allow for a minimum clearance of 2.5" behind the keypad to facilitate installation of the fastening nut.



### Connecting the flx.go keypad to the hot tub control

*Note: Always shut off power before connecting an accessory to hot tub control.*

To connect the flx.go keypad, simply insert its connector into the appropriate keypad connector (C Port) inside the hot tub control enclosure (as illustrated) and route the cable through the strain relief channel.



## Keypad functions

### Keypad layout



### Power

Rotate the dial ring of the flx.go to turn on the keypad. After 2 minutes of inactivity, the keypad will revert to the sleep mode screen and after 4 minutes of inactivity, the screen will shut off.

### Sleep mode screen



The sleep mode will activate after 2 minutes of inactivity. It can however also be accessed by pressing the flx.go for 2 seconds when in any other menu, or by pressing the “back” icon on the main screen.

The sleep mode screen shows the current water temperature, error indicator, economy indicator and time of day.

When the water temperature set point is higher than the current water temperature, an orange arc will appear. The orange arc indicates that the water is being heated to the temperature set point. The length of the arc represents the temperature difference between the current water temperature and the set point. The total length of the arc will be fully orange when the temperature reaches set point. There is normally a short delay before the heating starts.

## Keypad functions



When the water temperature set point is lower than the current water temperature, a blue arc will appear. The blue arc indicates that the water is cooling to the temperature set point. The length of the arc represents the temperature difference between the current water temperature and the set point. It will decrease in size until the temperature reaches set point.

Error indicator/notification



If a red triangle with an exclamation point is displayed in the sleep mode screen, an error is active. Consult the error menu on the main screen for further instructions. There is no icon on the main screen when no error is detected.

### High-temperature error

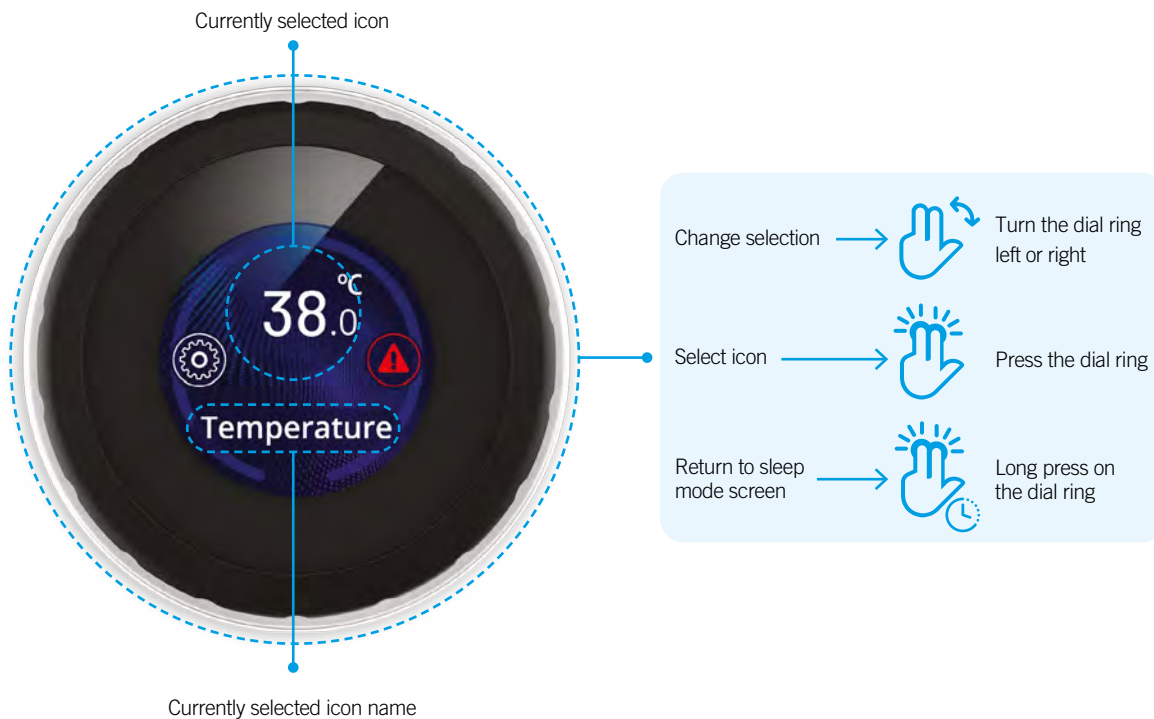
Over-temp indicator



If an over-temp error is active, a red fire triangle with an exclamation point will be displayed on the main screen. This error appears when the water temperature is 42°C (108°F) or higher. Do not enter the hot tub.

## Keypad functions

### Navigation



The main screen gives you access to your features (pumps, lights and more), temperature (set point), errors and settings.

To scroll through the carousel or list menus, simply turn the flx.go dial ring left or right.

### Start and stop accessories



To start or stop an accessory, turn the knob to the associated icon/menu and press the flx.go. Icons will become animated and turn blue (yellow for light icon) when their accessory is turned on. Animation will stop when turned off.

Icons on the screen will reflect the speed or state of the devices running on your hot tub. When an accessory has more than one speed, press the flx.go one more time to reach the second speed.

## Keypad functions

### Water temperature



When the main screen carousel is turned to the Temperature menu, the central circle will show the current water temperature.

To enter the Temperature menu, press the flx.go.

Then turn the knob left or right to set the desired temperature. Press the flx.go again to validate. The flx.go will then return to the main screen.

### Flip screen



To invert the display orientation, go to the main screen and press on the flip icon.

---

## Settings

### Menu



In the **Settings** menu you can access the following:

- Watercare
- Filter cycle
- Purge
- Economy
- Maintenance
- in.temp
- in.touch
- Date & Time
- Keypad
- Electrical configuration
- Warmweather
- About
- Audio
- Factory Reset
- Back

**Watercare**

The Watercare menu is only available if in conjunction with a purchased in.touch app option

The Watercare menu will help you set up your ideal filtration and heating settings. Choose between Away from Home, Standard, Energy Savings, Super Energy and Weekender, depending on your need.

In Economy mode, the set point will be reduced by 20°F\* which means that the heating system will not be engaged unless the temperature falls to 20°F below the hot tub's set temperature.

The filtration schedule will apply to the main filtration pump, most likely Pump 1.

**Away from Home:** In this mode, the hot tub will always be in economy mode; the set point will be reduced by 20°F.

**Standard:** The hot tub will never be in economy mode and will be filtering according to the pack's low-level configuration.

**Energy Savings:** The hot tub will be in economy mode during the peak hours of the day and resume normal mode on the weekend.

**Super Energy Savings:** The hot tub will always be in economy mode during peak hours, every day of the week.

**Weekender:** The hot tub will be in economy mode from Monday to Friday, and will run normally on the weekend.

## Settings

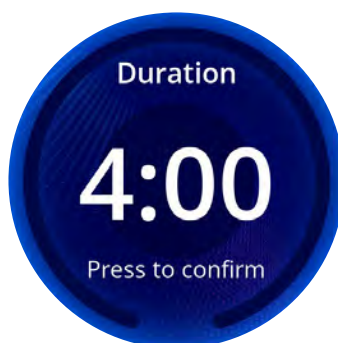
### Filter cycle\*



To program the filter cycle, you must enter these settings: Start time, Duration and Frequency. Once you have confirmed, you will be brought back to the Settings menu.



**Start:**  
start time of first filtration



**Duration:**  
duration of the filter cycle



**Frequency:**  
number of times the filter cycle is  
executed during a day

For example, if you set the start time at 8:00, duration at 1:00 and frequency at 4, the hot tub will filter the water for one hour at 8 AM, 2 PM, 8 PM and 2 AM for a total filtration time per day of 4 hours.

During a filter cycle, pumps run for one minute to purge the plumbing. Then the main filtration pump, most likely Pump 1, runs for the programmed number of hours.

*\*This section only applies if the in.touch app option was not purchased*



**Purge\***

If your hot tub uses a circulation pump configured to run 24 hours, the screen will show you the purge setting instead of filtration. The purges are pre-programmed for a fixed number of minutes; therefore, only the start time and frequency can be modified.

To program the purge, you must enter these settings: Start time and Frequency. Once you have confirmed, you will be brought back to the Settings menu.



**Start:**  
start time of first purge



**Frequency:**  
number of times the purge is  
executed during a day

*\*This section only applies if the in.touch app option was not purchased*

## Settings

### Economy\*

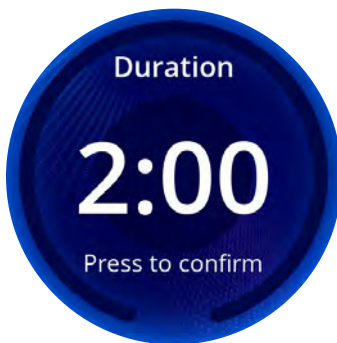


To select an item, turn the knob left or right until the desired menu is highlighted in the middle and press on the flx.go.



This mode allows you to lower the temperature set point of the hot tub by 20°F (11°C) during a specified period of the day to save energy. This means that the heating system will not be enabled unless the temperature falls to 20°F below the hot tub's set temperature. For example, if your set point is at 100°F and you scheduled the hot tub to be in economy mode from 10 PM to 8 AM, the hot tub will let the water temperature drop to 80°F and keep it at this temperature until it exits the economy mode at 8 AM. The water will heat back to 100°F. Note that the displayed set point remains the same (100°F) while in economy mode, but a green leaf is displayed on the sleep mode screen.

Turn the knob to the desired status: **Enabled** or **Disabled**. Press the flx.go to validate the choice.



To program the economy mode, you must enter the following settings: Start time and Duration.

Once confirmed, you will be brought back to the Settings menu.

*\*This section only applies if the in.touch app option was not purchased*

**Maintenance**

From the Maintenance menu, you can access the following:

- Reminders
- Standby

Turn the wheel and press to select the desired setting.

**Reminders**

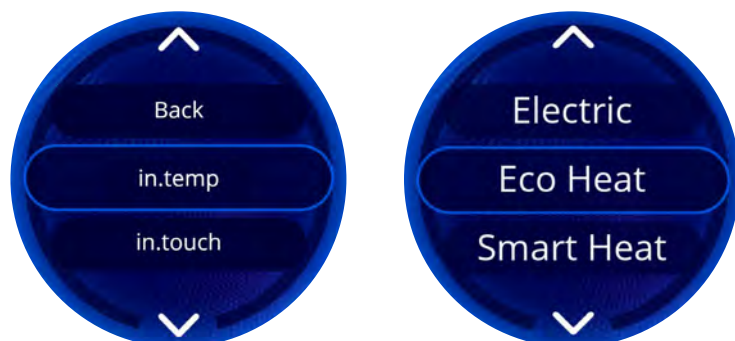
The flx.go keypad will provide reminders about maintenance required on your hot tub, like rinsing or cleaning the filter. Every task has its own duration based on normal use. The Reminders menu allows you to check the time left before maintenance is required, as well as to reset the time once a task has been completed. To reset a task, press the icon of the desired reminder. Once you have confirmed, the task will be reset. You can also use the Reset option to reset all the reminders.

**Standby**

The Standby mode allows you to service your hot tub. Pumps will stop for 30 minutes and will automatically restart after. The main menu will return at the end once the pumps have restarted.

## Settings

### in.temp



From the Settings menu, you can access the in.temp menu, which gives you access to the following heat pump modes:

- Eco Heat
- Smart Heat
- Eco Auto (when applicable)
- Smart Auto (when applicable)
- Cool (when applicable)
- Electric

Turn to make a selection and press to confirm.

**Eco Heat** In this mode, the heat pump is used as the unique source of heating. The heating element is kept off and the heat pump is not used to cool the water should its temperature rise above the current set point.

**Smart Heat** This mode uses the heat pump as the main heating source. The heating element is turned on only if there is a large temperature difference between the water and the set point. The heat pump is not used to cool the water in this mode.

**Eco Auto** This mode borrows functionality from both Eco Heat and Cool modes (when applicable) and has the ability to select the proper Heat or Cool mode automatically according to the water temperature. The heating element is never activated in this mode.

**Smart Auto** This mode borrows functionality from both Smart Heat and Cool modes (when applicable) and has the ability to select the proper Heat or Cool mode automatically according to the water temperature. The heating element is activated only if there is a large temperature difference between the water and the set point.

**Cool** This mode uses the heat pump in cooling mode only (when applicable). The heat pump is not used as a heating source and the heating element is never activated.

**Electric** This mode keeps the heat pump off and uses only the heating element to regulate water temperature.

in.touch



When an in.touch is detected, a green logo will appear.

Date



To change the date in the flx.go, press on Date & Time in the settings menu. Press on Date. Use the the dial ring to select the Year, Month and Day.

---

## Settings

### Time



To change time in the flx.go, press on Date & Time in the Settings menu. Press on Time. Use the the dial ring to select the Format (AM/PM or 24H). Select the Hours and Minutes.

**Keypad**

In the keypad menu you can access the following:

- Temperature units
- Contrast
- Language
- Lock spa (optional)
- Keypad color (optional)

To select an item, turn the wheel until the desired sub-menu is in the middle of the screen and press.

**Temperature units**

Water temperature can be displayed in either Fahrenheit (°F) or Celsius (°C).

Use the dial ring to choose the appropriate units to display temperatures.

Once you have confirmed, you will be brought back to the Settings menu.

---

## Settings

### Language



Language can be displayed in either English, French, Spanish, Polish, Dutch, German, Norwegian, Swedish, Portuguese, Italian, Hungarian or Czech. Once you have confirmed, you will be brought back to the Settings menu.

### Contrast



To select or change the screen contrast, turn and press the contrast setting you want to use.



**Lock spa**

When this option is enabled, you can partially or completely lock the keypad. When you want to lock the keypad, you are asked to select a 4-digit code. The same code will be needed to unlock the keypad.

The next time you want to lock the keypad, you will be prompted again to select a 4-digit code (same functionality as a safe in a hotel room). The keypad can be unlocked with a universal unlock code (3732) or by a reset of the keypad.

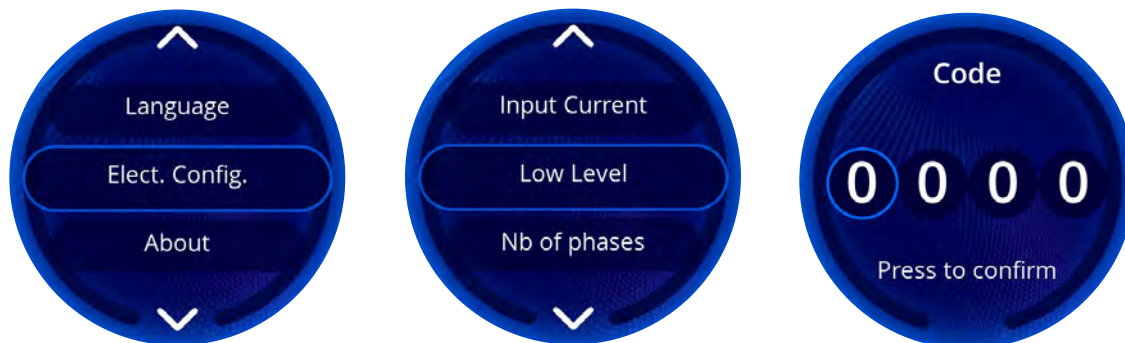
When Full lock is selected, all functions are locked. In Partial lock, you may only activate accessories. Settings may not be changed in this mode.

**Keypad color**

If this option is available (depending on the hot tub configuration), the keypad rim color can be changed. Eight (8) predefined colors are available. If the in.mix is installed, the keypad rim color can also be associated to an in.mix zone.

## Settings

### Electrical configuration



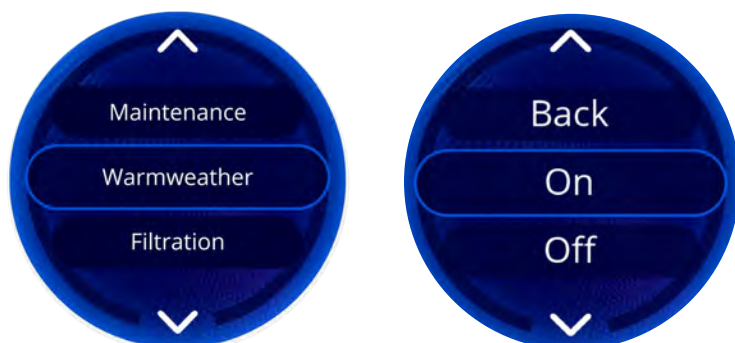
**Please do not make changes in this section unless you are a qualified hot tub technician or electrician.**

Turn the ring to move to the selection you want to modify and press on the flx.go.

Please see the techbook for your hot tub control system for details on low-level settings.

*If you want to change any electrical configurations (input current, low level and number of phases), you need to enter this code: 5555*

### Warmweather



When pumps are running, they produce heat that may increase your water temperature. Warmweather gives you the option to bypass the pack filtration over-temperature feature. When Warmweather is turned off, the filtration over-temperature is disabled and your hot tub filtering will continue even if the water temperature is high.

## Settings

### About



This section provides information about the flx.go software number and the revision numbers of the various components of your system.

### Audio



The flx.go can be used with the in.stream 2 audio system. The Audio section in the Settings menu gives you the option to disconnect your Bluetooth-enabled device when using the in.stream 2.



---

## Settings

### Factory reset



When you select Factory Reset, you will be asked to confirm your choice. Doing so will reset all keypad settings to factory default. This should only be done at installation or when replacing a part.

### Back



To return to the Settings menu, scroll to the end of the list to select the "Back" icon.

**VMS-1 variable-speed pump**

Unlike a traditional massage pump, the variable-speed pump features an intensity control menu. Turn the wheel to decrease or increase intensity. To switch off, set the intensity to 0 and the pump will shut down.

If an automated function is in progress, the initiation of a shutdown request may be denied. (e.g., heating).

**Massage menu**

This menu is only available if a variable-speed pump and the Massage option are activated in the hot tub configuration. The Messages list allows you to choose from a selection of massages and those you have created yourself. To select a massage, scroll down the list and click on the desired massage.

## Settings

### Massage adjustments



Once the massage type has been selected, these pages will allow you to adjust the rhythm and intensity of your massage. Rhythm can be adjusted on 5 levels. Intensity is set in the same way as in the menu of your variable-speed pump. You can also stop/start your massage via this menu.

## in.stream 2 functions



**Only available if the system detects a connected in. stream 2 audio station.**

The audio section lets you control active audio sources. Note that only functions applicable to the selected source will be available. From this section, you can access the following options:

- Sound signal control
- Volume control
- Audio source selection

To select one of the functions, rotate the wheel until the icon of the desired function is surrounded by a blue ring. For more information on the in. stream 2 audio station, please refer to the in. stream 2 techbook.



### Sound signal control

In the in. stream's main menu, the center indicates if a source is playing and which source is selected. You can change song or frequency, as well as pause or start the music.



### Volume adjustment

Turn the wheel to adjust the volume. When the sound is at its lowest, it will be muted.



### Audio sources

To change the audio source, turn the wheel to scroll through the different sources and press the desired one. Note that all sources installed on the in. stream 2 audio station will appear on the screen.

## in.mix functions



This menu is only available if an in.mix is detected in the hot tub accessories. It allows you to select the color of each zone separately or simultaneously.



### Selection of a zone

To select a zone, turn the wheel until the desired icon is surrounded by a blue ring and press. This selection takes you to the desired zone menu.



### Start/Stop

There are two ways to switch the in.mix on or off. The first is to use the power icon in the All sub-menu. The other is to use the power for each zone separately.



### Color change

Once an area has been selected, use the color wheel to select the color, or the rainbow icon for the color-changing effects.



### Zone synchronization

If you wish to have all 3 zones in the same color, select the desired color from the All sub-menu.



---

## Feature matrix

The following table presents the features and/or options available for the flx.go keypad and the earliest software version in which this feature/option is available. All versions later than the earliest version continue to support the feature.

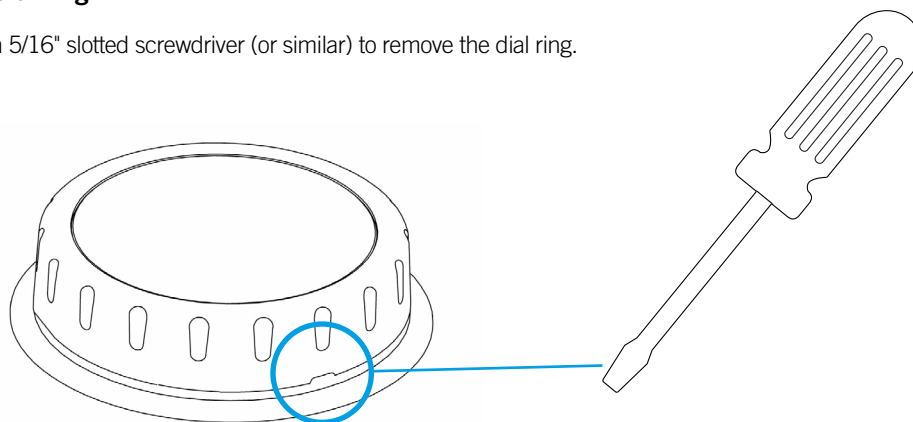
<b>Keypad functions</b>	<b>Earliest version</b>
Power	5.00
Sleep mode screen	5.00
Start or stop accessories	5.00
Water temperature	5.00
Error	5.00
Settings	
Filtration	5.00
Economy	5.00
Date & Time	5.00
Temperature Units	5.00
Language	5.00
Electrical configuration	5.00
About	5.00

## How to remove the dial ring

### Remove dial ring

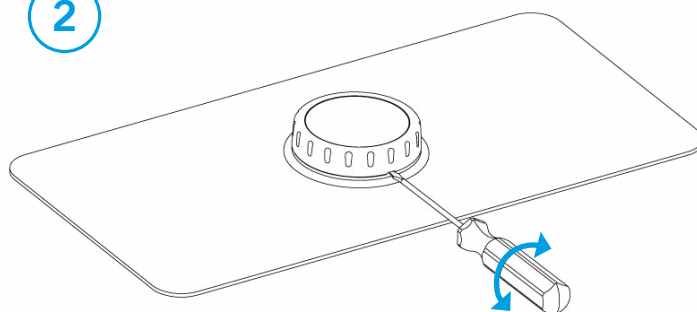
You need a 5/16" slotted screwdriver (or similar) to remove the dial ring.

1



Insert the screwdriver in the slot of the black dial ring.

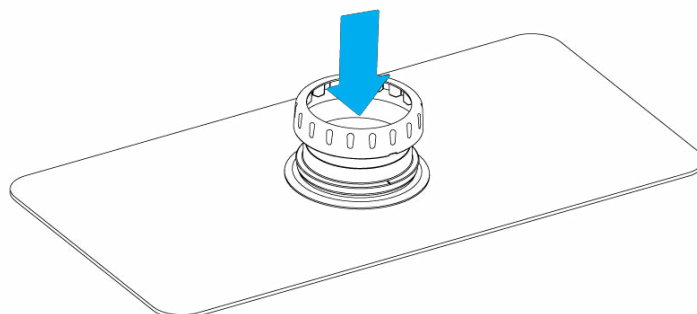
2



Gently twist the screwdriver in the slot to pop out the dial ring.

### Replace or reinstall dial ring

Press down on dial ring on the housing with your hand until you hear a click.



### Maintenance

Only use hot tub-cleaning products to clean the keyboard.

## Errors

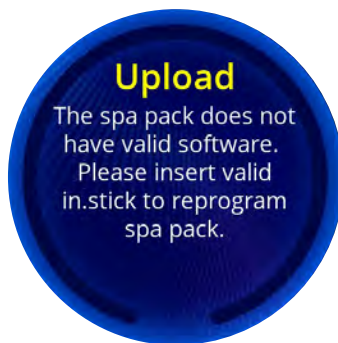


The list below shows the various error messages that can appear on the main screen. Refer to the troubleshooting and error codes section of the techbook of your hot tub control for more details.

Code	Message
HL	Warning! Do not enter hot tub. High-limit circuit has tripped.
OH	Error. Elevated internal temperature.
FLO	Persistent No Flo, all off. Check filter, pump, blockage, air lock and water level.
FLO	Flo condition. Check filter, pump, blockage, air lock and water level.
Prr	Warning! Do not enter hot tub. Temp probes/detect.circuit defect.
AOH	Error. Elevated internal temperature.
UPL	Upload. The hot tub pack does not have valid software. Please insert valid in.stick to reprogram control system.
CoE	There's a problem communicating with the pack. Please check keypad connections or update pack software.
Hr	Error. Hardware error detected (thermistor).

### Installation error

Upon connecting the flx.go to the control system, you may see one of two error messages:



Please follow the instructions in the message or contact your dealer for more information.

## Specifications

Model	Part number	Description
flx.go 10' cable	0907-005000-001	FLX.GO-00-BK-GE1
flx.go 25' cable	0907-005001-001	FLX.GO-00-BK-25FT-GE1

### Environmental ratings

<b>Operating temperature:</b>	-4°F (-20°C) to 149°F (70°C)
<b>Storage temperature:</b>	-22°F (-30°C) to 185°F (80°C)
<b>Water ingress protection:</b>	IPX5

### Mechanical

<b>Weight:</b>	0.7 lb (0.32 kg)
<b>Dimensions (W x H x D):</b>	ø4.498" x 2.110" (ø114.3 mm x 53.6 mm)
<b>Standard cable length:</b>	10' (304.8 cm)

### Compatibility

in.yt, in.ye and in.yj controls systems with appropriate software revision.



9919-101751-D  
Rev. 02-2024

© Groupe Gecko Alliance inc., 2024  
All trademarks or registered trademarks  
are the property of their respective owners.

Gecko Alliance  
450 des Canetons, Québec (Qc), G2E 5W6 Canada, 1.800.78.GECKO  
[www.geckoalliance.com](http://www.geckoalliance.com)